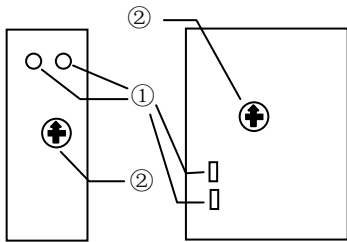




SWITCHING POWER SUPPLY

YX4 series is an economical ultra-thin DIN Rail type power supply conforming to 15W German working standards, which is suitable for installation on TS-35/7.5 or TS-35/15 rails. The products uses AC85-264V full range AC input(AC277V is applicable), and conforms to EN61000-3-2 standard the harmonic current specification for the European Union.

MODEL & EXPLANATION



YX41118**

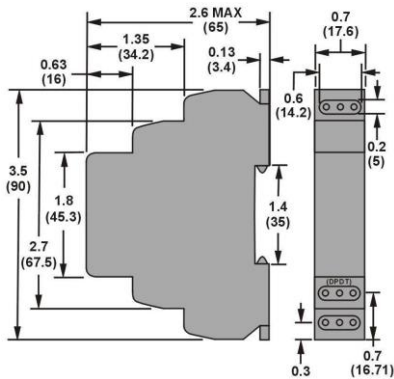
YX41136**

- ① Power Indicator
- ② Voltage Range Selection

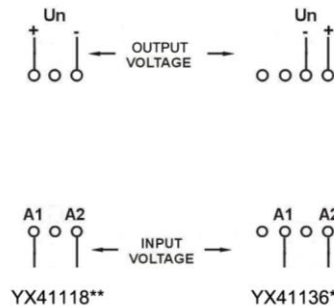
Characteristic:
International standard input::85-264VAC(277VAC available)
No-load Consumption <0.3W
Isolation Level: Class II
Pass LPS(Limited power supply)
DC output voltage can be adjusted
Protection type: short circuit/overload/over-voltage
Natural air cooling (Working temperature: -30~+70°C)
Mounted on TS-35/7.5 or TS-35/15 rails
Over-voltage :Class III
LED indicates power ON

Application:
Home control system
Building automation
Industrial control system
Automated Industry
Electrical equipment

DIMENSIONS Inches(mm)



WIRING DIAGRAMS



YX41118**

YX41136**



SWITCHING POWER SUPPLY

| Model No. | YX4111805 | YX4111812 | YX4111815 | YX4111824 | YX4111848 | YX4113605 | YX4113612 | YX4113615 | YX4113624 | YX4113648 |
|-------------------------------------|---|------------|------------|-----------|------------|-------------------------------------|------------|------------|-----------|------------|
| DC Voltage | 5V | 12V | 15V | 24V | 48V | 5V | 12V | 15V | 24V | 48V |
| Rated Current | 2.4A | 1.25A | 1A | 0.63A | 0.32A | 3A | 2A | 2A | 1.5A | 0.75A |
| Rated Power | 12W | 15W | 15W | 15.2W | 15.4W | 15W | 24W | 30W | 36W | 36W |
| Ripple & Noise(Max.) ² | 80mVp-p | 120mVp-p | 120mVp-p | 150mVp-p | 240mVp-p | 80mVp-p | 120mVp-p | 120mVp-p | 150mVp-p | 240mVp-p |
| Vol. Adj. Rang | 4.5-5.5V | 10.8-13.8V | 13.5-18V | 21.6-29V | 43.2-55.2V | 4.5-5.5V | 10.8-13.8V | 13.5-18V | 21.6-29V | 43.2-55.2V |
| Output Voltage Accuracy*3 | ±2.0% | ±1.0% | ±1.0% | ±1.0% | ±1.0% | ±2.0% | ±1.0% | ±1.0% | ±1.0% | ±1.0% |
| Linear Adjusted Rate | ±1.0% | ±1.0% | ±1.0% | ±1.0% | ±1.0% | ±1.0% | ±1.0% | ±1.0% | ±1.0% | ±1.0% |
| Load Adjusted Rate | ±1.0% | ±1.0% | ±1.0% | ±1.0% | ±1.0% | ±1.0% | ±1.0% | ±1.0% | ±1.0% | ±1.0% |
| Start & Rise Time | 2000ms,80ms/230VAC | | | | | 2000ms,80ms/115VAC (Fully Loaded) | | | | |
| Maintain Time (Typ.) | 30ms/230VAC | | | | | 12ms/115VAC (Fully Loaded) | | | | |
| Input Voltage Range | 85-264VAC (277VAC Available) | | | | | 120-370VDC (390VDC Available) | | | | |
| Frequency Range | 47-63Hz | | | | | | | | | |
| Efficiency (Typ.) | 80% | 85% | 85.5% | 86% | 87% | 82% | 88% | 89% | 89% | 90% |
| AC Current (Typ.) | 0.5A/115VAC | | | | | 0.25A/230VAC | | | | |
| Surge Current(Typ.) | Cold Start 25A/115VAC | | | | | 45A/230VAC | | | | |
| Protection Overload | 110-145% of Rated Output Power it's Hiccup Mode when output voltage less than 50%. It can automatically recover after the abnormal load condition is removed. | | | | | | | | | |
| Over-voltage | 5.75-6.75V | 14.2-16.2V | 18.8-22.5V | 30-36V | 56.5-64.8V | 5.75-7.5V | 15-18V | 18.8-22.5V | 30-36V | 57.6-67.2V |
| | Protection Mode: Turn off output and clamped it through Zener diode. | | | | | | | | | |
| Environment Working Temperature | -30°C ~ +70°C | | | | | | | | | |
| Working Humidity | 20%-90%RH, No condensation | | | | | | | | | |
| Storage temperature & Humidity | -40°C ~ +85°C, 10%-95%RH, No condensation | | | | | | | | | |
| Temperature coefficient Coefficient | ±0.03%/°C (0-50°C) | | | | | | | | | |
| Remarks | *1. Without special mark, all specifications are measured at 230Vinput, rated load within 25°C ambient temperature. *2. Ripple&Noise measuring : Using a 12" twisted-pair cables, and 0.1uf and 47uf capacitors should be connected in parallel at the terminal. The measuring should be performed under the 20MHz bandwidth. *3. Accuracy: Including setting error, linear adjusted rate and load adjusted rate. | | | | | | | | | |